

MAIN SPECIFICATIONS

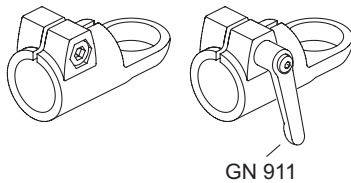
Aluminium
 Epoxy resin coating
 Black, RAL 9005, textured finish **SW**
 Cylindrical-head screw DIN 912
 Stainless Steel AISI 304
 Hexagon nut DIN 985
 Stainless Steel AISI 304
 Self-locking via polyamide ring

FEATURES AND APPLICATIONS

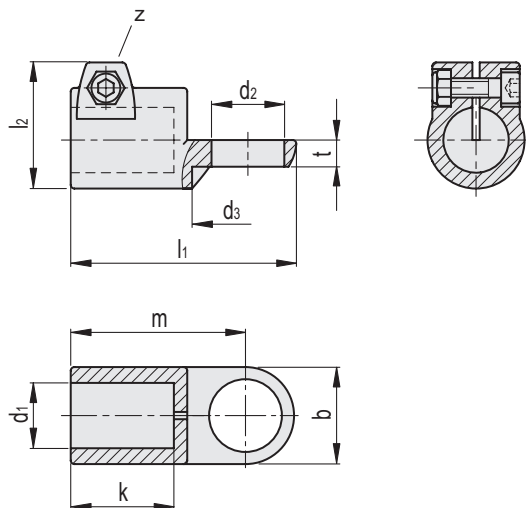
The clamping bore of sensor holders GN 276.4 is mechanically machined and designed for construction tubes GN 990 (see page -).
 At the screw location **z**, the socket cap screw reduces the bore cross-section for clamping.
 For clamping without tools, the socket cap screw can be replaced by an adjustable lever GN 911 (see page -).

ACCESSORY

Adjustable Hand Levers GN 911 (see page -).



GN 911



Conversion Table	
1 mm = 0.039 inch	
d1	
mm	inch
20	0.78
25	0.98
30	1.17

METRIC

Code	Description	d1	d2	d3	b	k	l1	l2	m	t	z	Z Clamping kit	⚖
GN.59901	GN 276.4-B20-B18-2-SW	B 20	B 18	50	40	42.5	92	52	72	10	M8-25	-	186
GN.59903	GN 276.4-B20-B30-2-SW	B 20	B 30	50	40	42.5	92	52	72	10	M8-25	-	182
GN.59911	GN 276.4-B25-B18-2-SW	B 25	B 18	50	40	42.5	92	52	72	10	M8-25	GN 911-63 / GN 911-78	172
GN.59913	GN 276.4-B25-B30-2-SW	B 25	B 30	50	40	42.5	92	52	72	10	M8-25	GN 911-63 / GN 911-78	168
GN.59921	GN 276.4-B30-B18-2-SW	B 30	B 18	50	40	42.5	92	52	72	10	M8-25	GN 911-63 / GN 911-78	161
GN.59923	GN 276.4-B30-B30-2-SW	B 30	B 30	50	40	42.5	92	52	72	10	M8-25	GN 911-63 / GN 911-78	157

